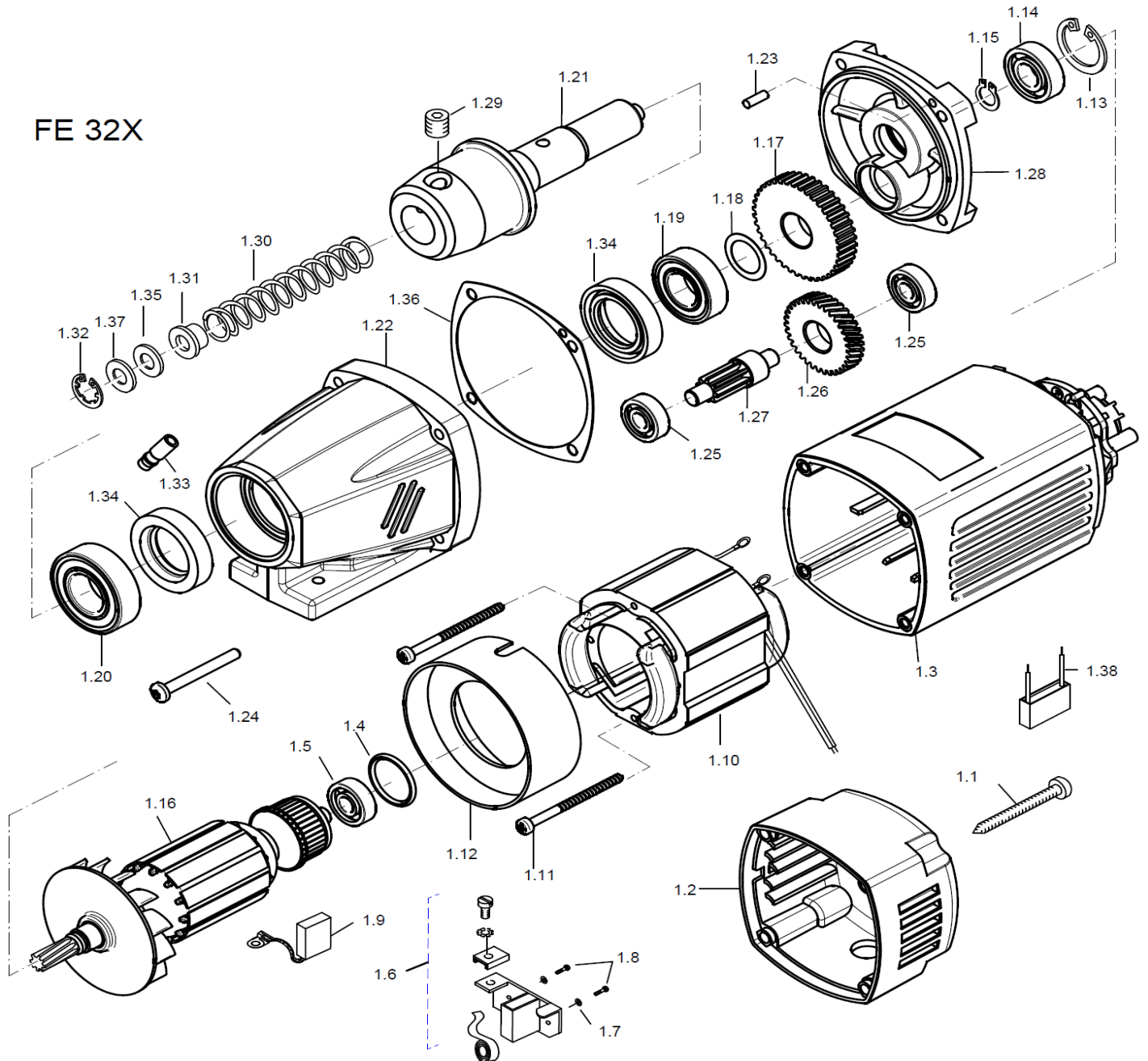


Spare List 2015

FE 32X Motor Unit

FE 32X



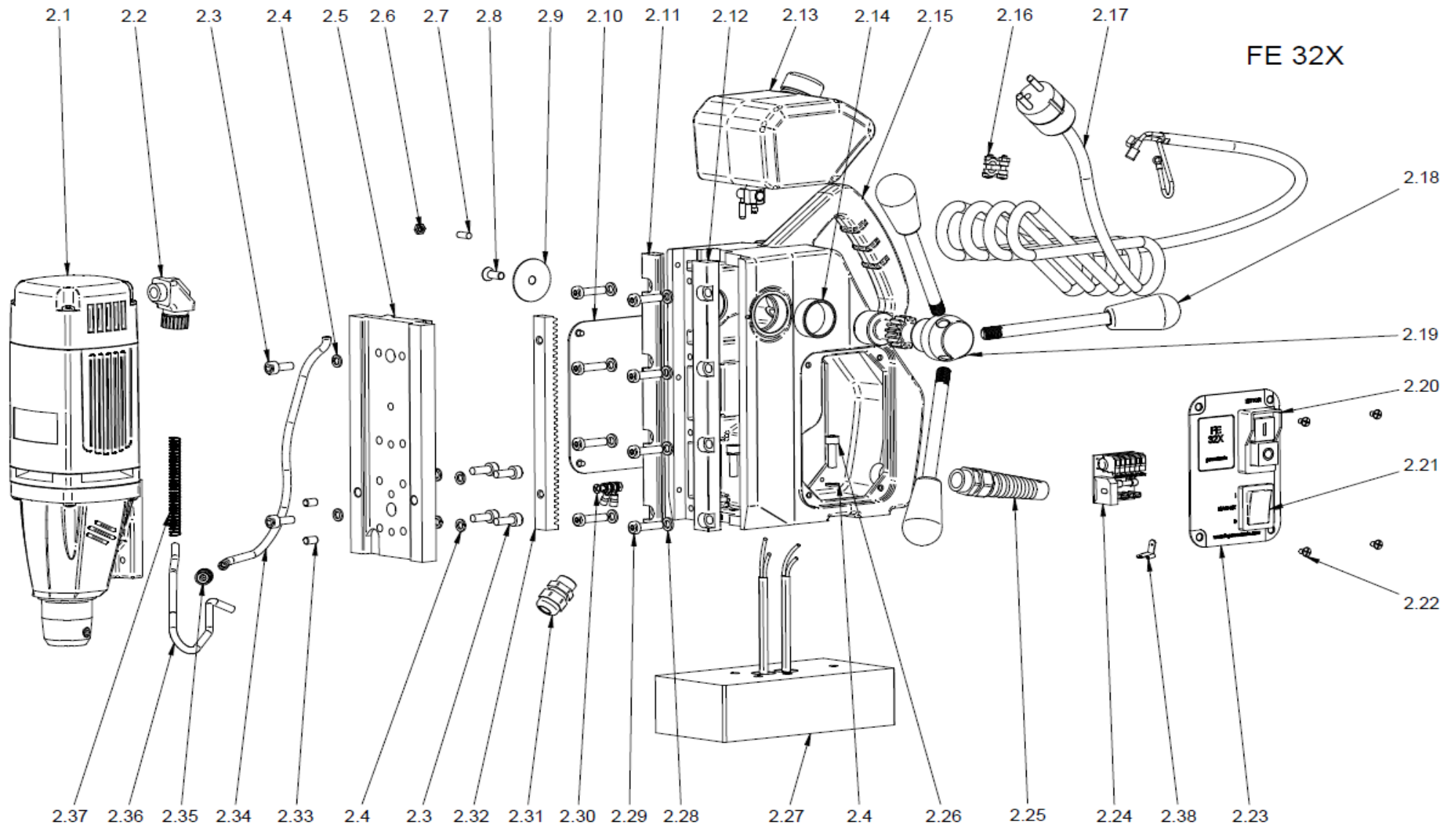
Spare List 2015

FE 32X Motor Unit

| Pos. Nr. | Article | Article Description | Pcs | |
|----------|----------|------------------------------------|-----|--|
| 1.1 | 5010581 | Screw HC 4,8x45 DIN 7981 | 4 | |
| 1.2 | 5015151 | Motor cover | 1 | |
| 1.3 | 5015661 | Housing | 1 | |
| 1.4 | 5010591 | O-Ring 22x2,5 | 2 | |
| 1.5 | 5010061 | Ball bearing 608 2Z | 1 | |
| 1.6 | 5010561 | Carbon brush holder | 2 | |
| 1.7 | 5013981 | Spring plate B4 DIN 137 | 4 | |
| 1.8 | 5013991 | Self-tapping screw ZM4x12 | 4 | |
| 1.9 | 5010571 | Carbon brush 6,3x10x18 | 2 | |
| 1.10 | 5015171 | Field 230V | 1 | |
| 1.11 | 5010031 | Screw HC 3,9x60 DIN 7981 | 2 | |
| 1.12 | 5010251 | Air guide | 1 | |
| 1.13 | 5010271 | Circlip 28/1,2 DIN 472 | 1 | |
| 1.14 | 5010081 | Ball bearing 6001 2Z | 1 | |
| 1.15 | 5010261 | Circlip 10/1 DIN 471 | 1 | |
| 1.16 | 5015201 | Armature 230V | 1 | |
| 1.17 | 5010091 | Spindle gear 40T | 1 | |
| 1.18 | 5010051 | Washer 17x24x0,2 DIN 988 | 1 | |
| 1.19 | 5010241 | Ball bearing 6003 2RS | 1 | |
| 1.20 | 5012281 | Ball bearing 6004 2RS | 1 | |
| 1.21 | 5012431 | Spindle drive shaft | 1 | |
| 1.22 | 5015191 | Gear casing | 1 | |
| 1.23 | 5010291 | Key M4x12 DIN 1474 | 1 | |
| 1.24 | 5010221 | Screw HC 4,8x38 DIN 7981 | 4 | |
| 1.25 | 5010071 | Ball bearing 608 | 2 | |
| 1.26 | 5010101 | Gear 34T | 1 | |
| 1.27 | 5010121 | Pinion shaft 8T | 1 | |
| 1.28 | 5015221 | Gear box cover | 1 | |
| 1.29 | 6010181 | Threaded pin M8x8 DIN 913 | 1 | |
| 1.30 | 5014681 | Compression spring | 1 | |
| 1.31 | 5014691 | Spring holder | 1 | |
| 1.32 | 6010161 | CirclipJK19/1 | 1 | |
| 1.33 | ZSS 200N | Nipple | 1 | |
| 1.34 | 5012461 | Shaft seal 19x32x7 | 2 | |
| 1.35 | 5014701 | Rubber ring 19x11x1,5 | 1 | |
| 1.36 | 5014641 | Gearboxseal | 1 | |
| 1.37 | 5014711 | Disc | 1 | |
| 1.38 | 5012791 | Interference suppression capacitor | 1 | |

Spare List 2015

FE 32X Stand



Spare List 2015

FE 32X Stand

| Pos. Nr. | Article | Article Description | Pcs | |
|----------|-----------|--|-----|--|
| 2.1 | 5002021 | Motor unit complete 230V black | 1 | |
| 2.2 | 7014371 | Elbow connector PG9 | 1 | |
| 2.3 | 6010011 | Hexagon socket head cap M6x16 DIN 912 | 6 | |
| 2.4 | 6010021 | Spring plate 6,1 DIN 7980 | 9 | |
| 2.5 | 4000252 | Slide | 1 | |
| 2.6 | 6010031 | Hexagon nut M5 DIN 934 | 4 | |
| 2.7 | 6015431 | Hexagon socket set screw M5x12 DIN 913 | 4 | |
| 2.8 | 6010232 | Screw M6x16 ISO 10642 | 1 | |
| 2.9 | 6010221 | Fastening disc 10,5x35x1,5 | 1 | |
| 2.10 | 7011641 | Rear plate | 1 | |
| 2.11 | 6012252 | Aluminum guide left | 1 | |
| 2.12 | 6012262 | Aluminum guide right | 1 | |
| 2.13 | 4010241 | Coolant tank | 1 | |
| 2.14 | 3020005 | Glide bearing 28x32x12 | 2 | |
| 2.15 | 4010011 | Gehäuse | 1 | |
| 2.16 | 4010291 | Strain-relief clamp | 1 | |
| 2.17 | 7010042 | Main cable 230V | 1 | |
| 2.18 | 6010243 | Handle | 3 | |
| 2.19 | 4010181 | Gear shaft | 1 | |
| 2.20 | 7010801 | Motor switch 230V | 1 | |
| 2.21 | 7010142 | Magnet switch | 1 | |
| 2.22 | 7010081 | Screw M4x8 DIN 966 | 4 | |
| 2.23 | 7011603 | Front plate | 1 | |
| 2.24 | 7010811 | PCB board 110V + 230V | 1 | |
| 2.25 | 7010031 | Screwed cable gland | 1 | |
| 2.26 | 6010091 | Cylinder screw hexagon socket M6x20 DIN 912 | 3 | |
| 2.27 | 6010055 | Magnet w/o indicator - 3 holes | 1 | |
| 2.28 | 6013441 | Flat washer | 8 | |
| 2.29 | 6050141 | Cylinder screw hexagon socket M6x25 DIN 7984 | 8 | |
| 2.30 | 7010061 | Earthing complete | 1 | |
| 2.31 | 6012131 | Screwed cable gland PG9 | 1 | |
| 2.32 | 6010081 | Rack | 1 | |
| 2.33 | 4000101 | Dowel pin 6m6x10 DIN 6325 | 2 | |
| 2.34 | ZSS 200SL | Hose, blue, 480 mm | 1 | |
| 2.35 | ZSS 200K | Quick connect | 1 | |
| 2.36 | 7011091 | Motor cable 670 mm | 1 | |
| 2.37 | 6012181 | Motor cable protection | 1 | |
| 2.38 | 7011571 | Multi-contact connector | 2 | |